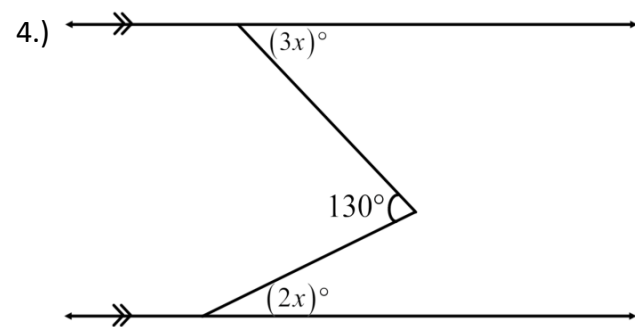
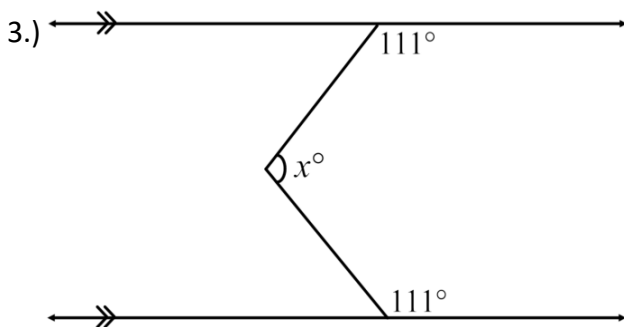
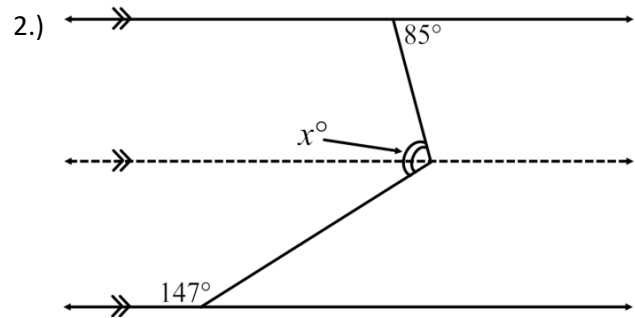
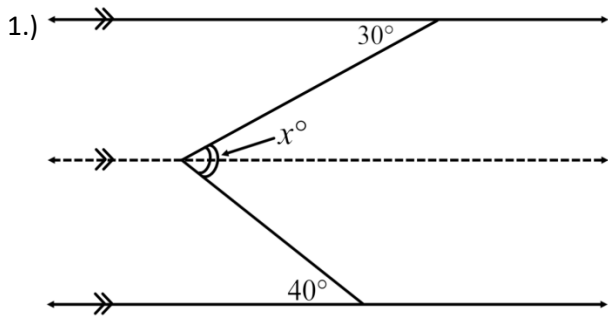


Find the value of the variable(s) in each Crook problem below.



Find the value of the variable(s) in each Crook problem below.

